

Read this instruction carefully. See hardware and furniture part list for guidance. Be sure all parts are complete, before you assemble. Place all wooden furniture parts on a clean and flat soft surface to prevent from being scratched. Follow the figure to start assembling.

**CAUTION :** 1. Do not FULLY - TIGHTEN the nuts or nuts bolts until they are ready for assembly.  
 2. Do not OVER - TIGHTEN the nuts or bolts to avoid causing damages to the thread.  
 3. Keep all hardware parts out of reach of children.

**NOTE :** THE LIST AND QUANTITY SHOWN ARE FOR 1 UNIT ASSEMBLY.

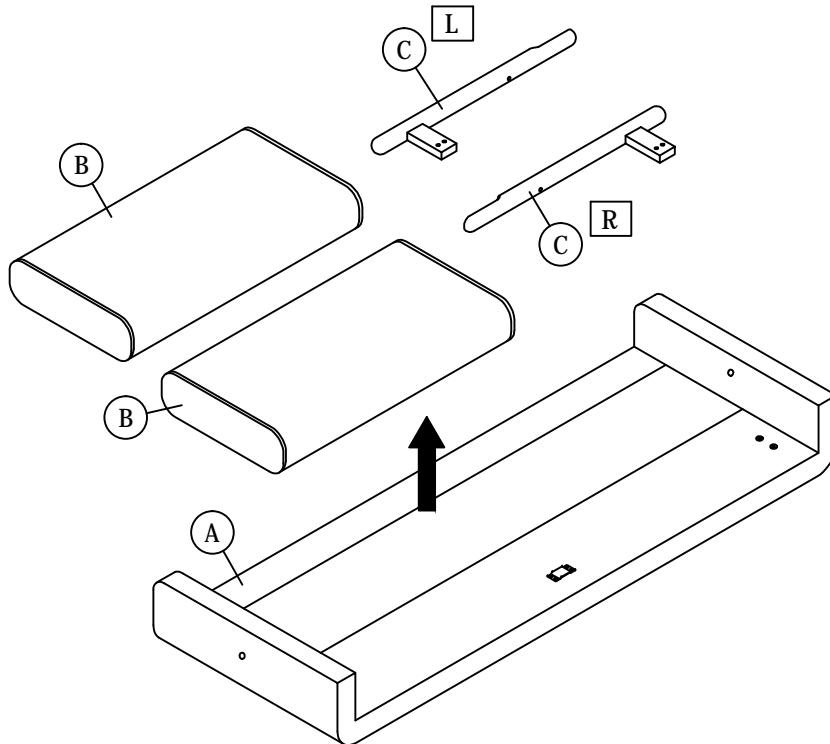
Tools needed : Screwdriver (not provided).

PART LIST		
ITEM	DESCRIPTION	QTY
A	HEADBOARD	1 PC
B	HEADBOARD CUSHION	2 PCS
C	HEADBOARD LEG	2 PCS
D	SIDE RAIL	2 PCS
E	SIDE RAIL LEG	2 PCS
F	SUPPORT WOOD (1)	2 PCS
G	SUPPORT WOOD (2)	1 PC
H	FOOTBOARD	1 PC
I	CENTER RAIL	1 PC
J	CENTER SUPPORT LEG	3 PCS
K	CENTER SUPPORT	2 PCS
L	BED SLAT	24 PCS

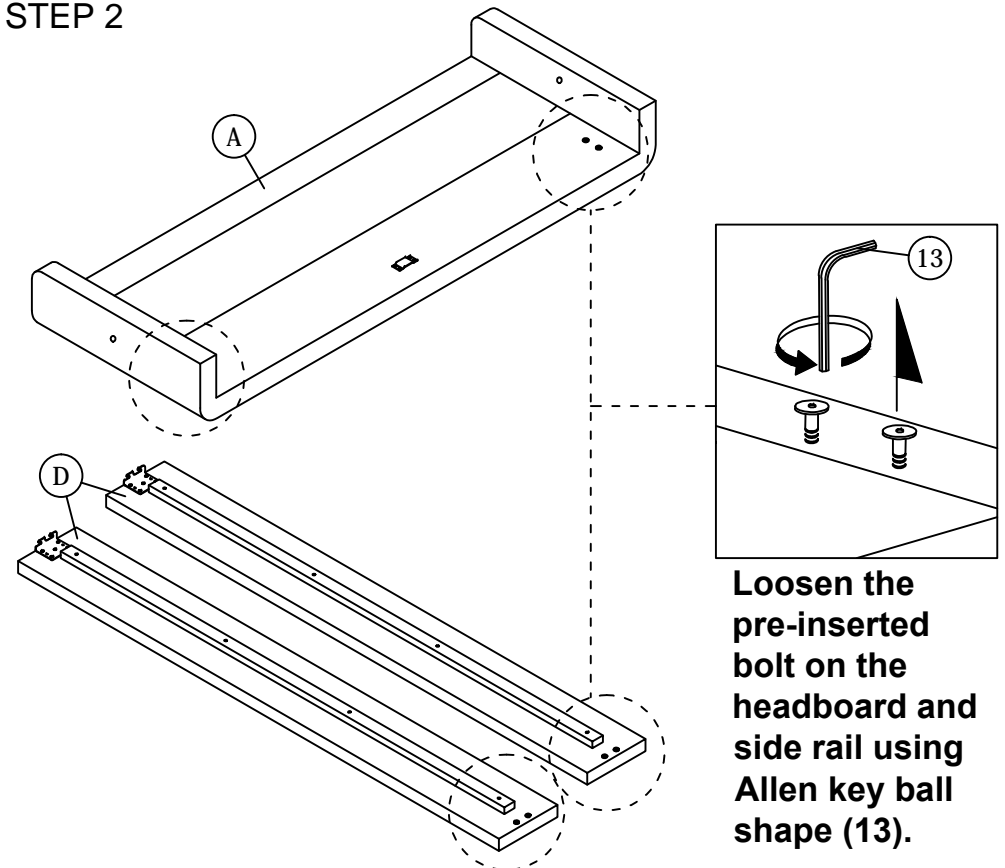
HARDWARE LIST		
ITEM	DESCRIPTION	QTY
1	JCBC BOLT M6 x 50mm	2 PCS
2	JCBC BOLT M6 x 70mm	6 PCS
3	JCBC BOLT M6 x 80mm	2 PCS
4	M6 FLAT WASHER	4 PCS
5	M6 SPRING WASHER	10 PCS
6	WOOD DOWEL M8 x 30mm	4 PCS
7	WOOD SCREW M3.5 x 16mm	20 PCS
8	WOOD SCREW M4 x 20mm	2 PCS
9	VMB 3162	6 PCS
10	BED SLAT SIDE FITTER	24 PCS
11	BED SLAT CENTER FITTER	12 PCS
12	M4 ALLEN KEY (BALL SHAPE)	1 PC
13	M5 ALLEN KEY (BALL SHAPE)	1 PC

## STEP 1

Take out ALL PART from the HEADBOARD FRONT (A).



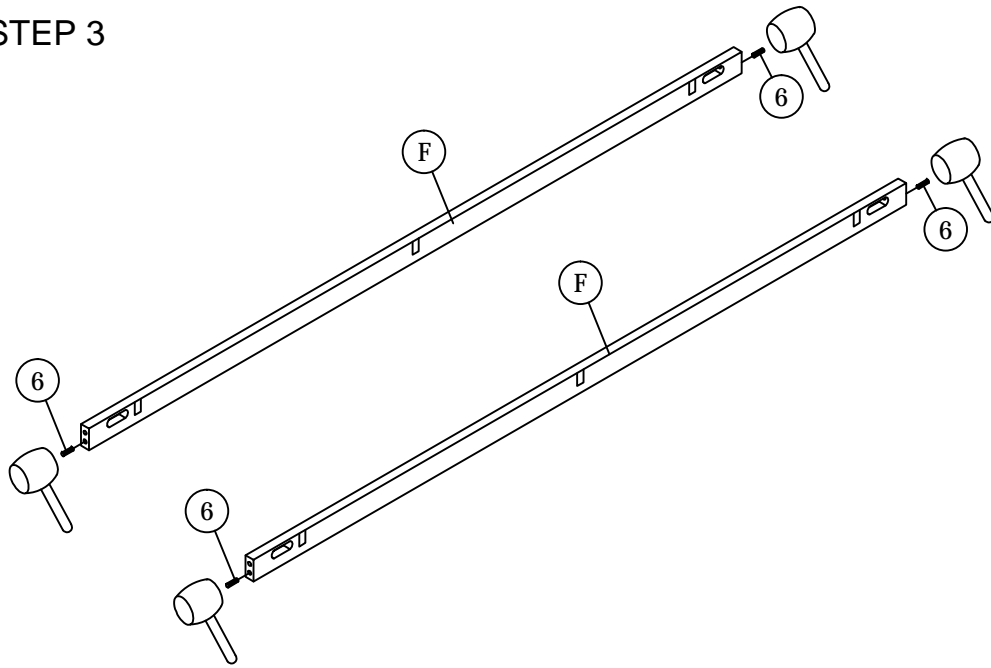
## STEP 2



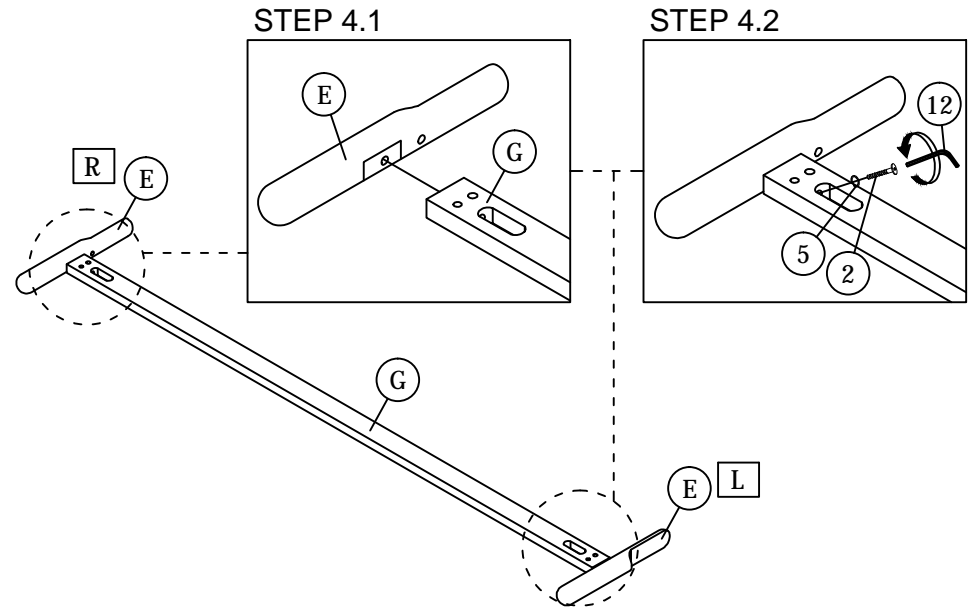
**Loosen the pre-inserted bolt on the headboard and side rail using Allen key ball shape (13).**

# ASSEMBLY INSTRUCTIONS

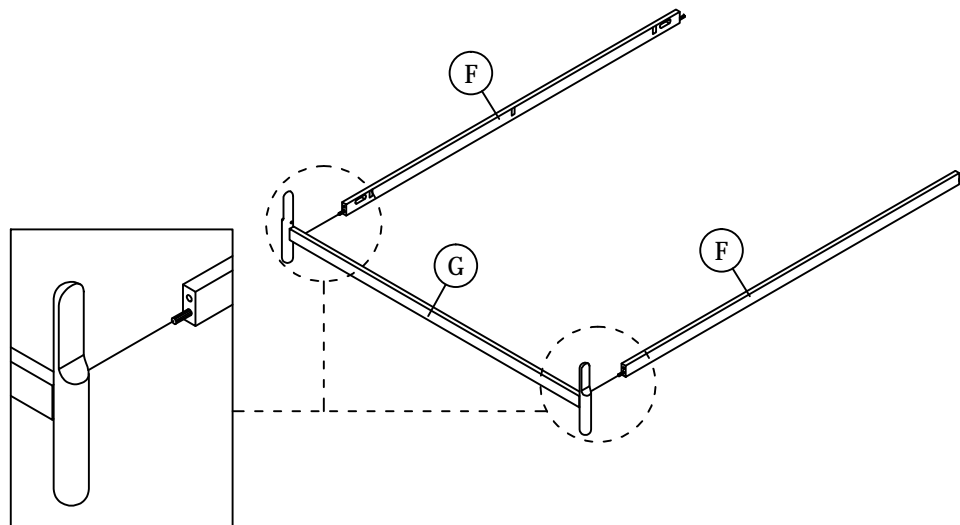
## STEP 3



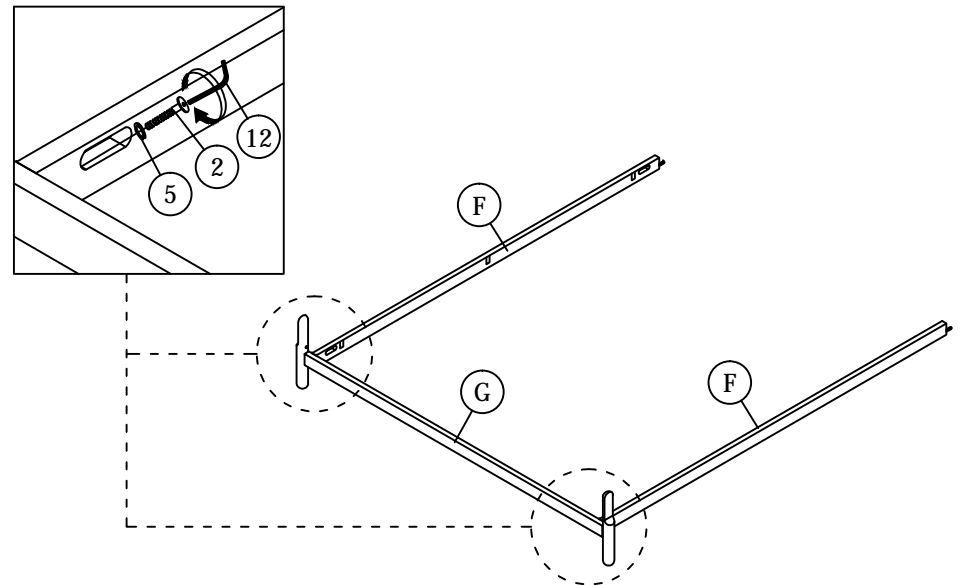
## STEP 4



## STEP 5

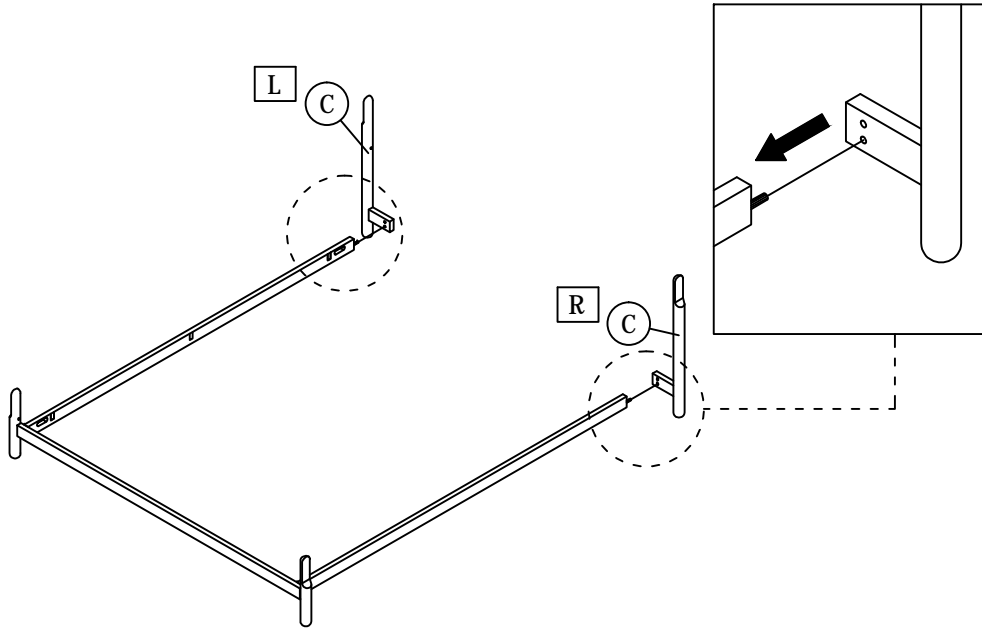


## STEP 6

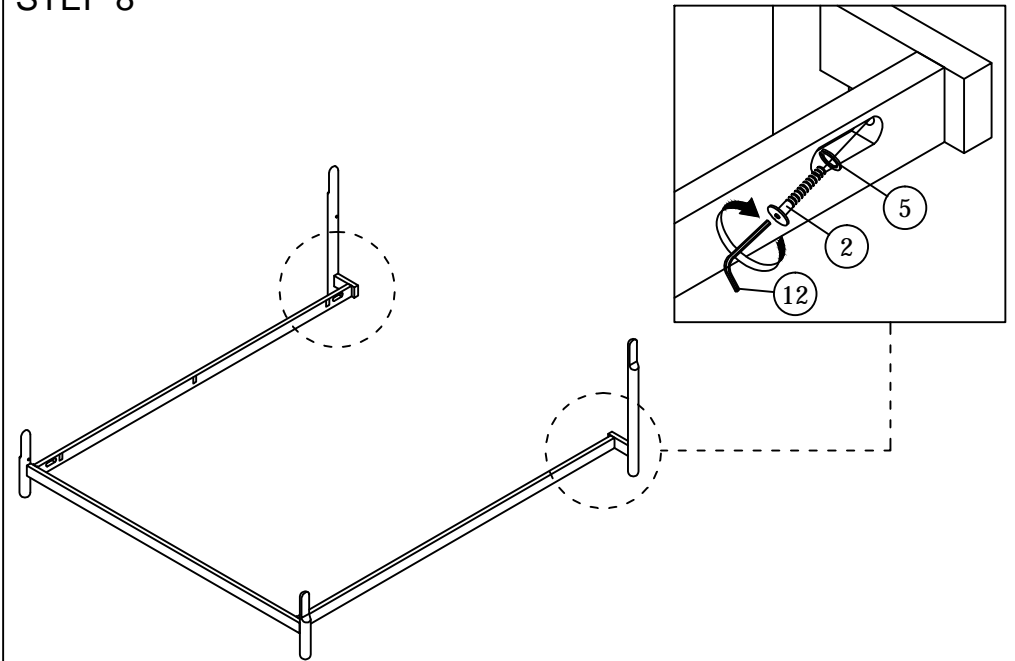


# ASSEMBLY INSTRUCTIONS

STEP 7

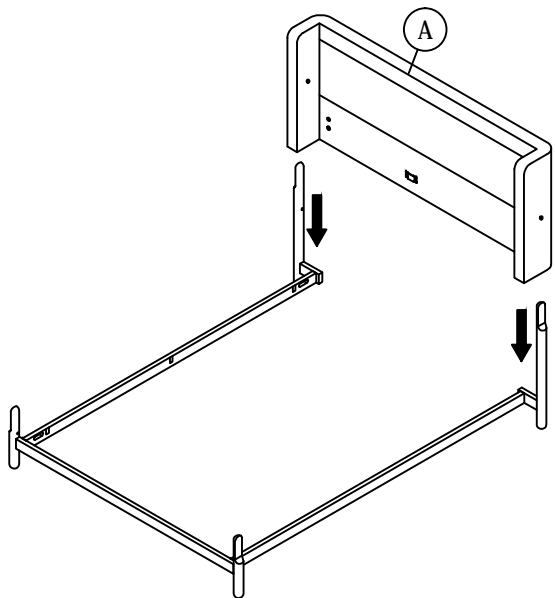


STEP 8



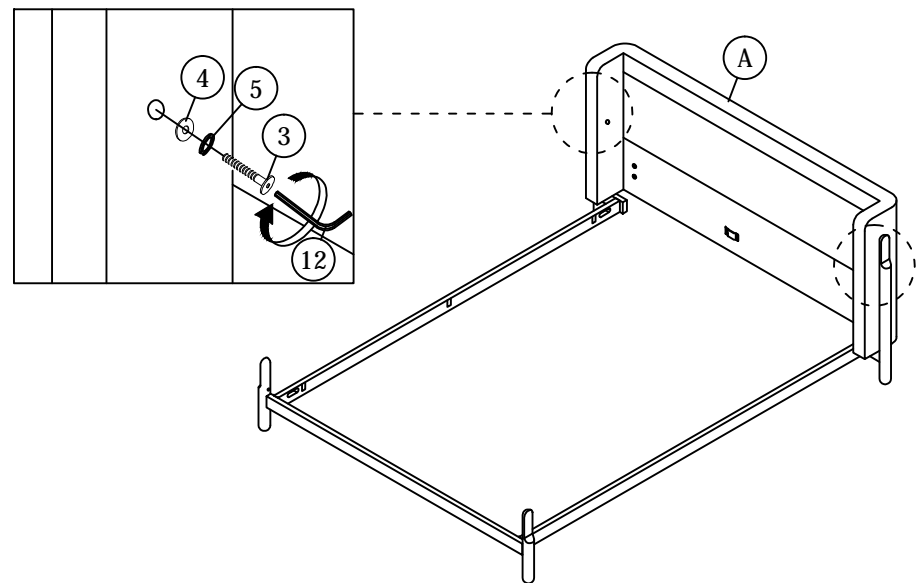
STEP 9

**Note : This step requires two people.**

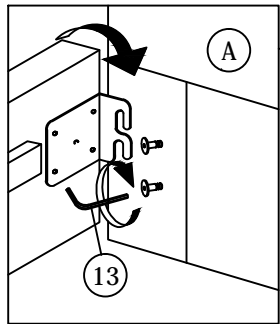


STEP 10

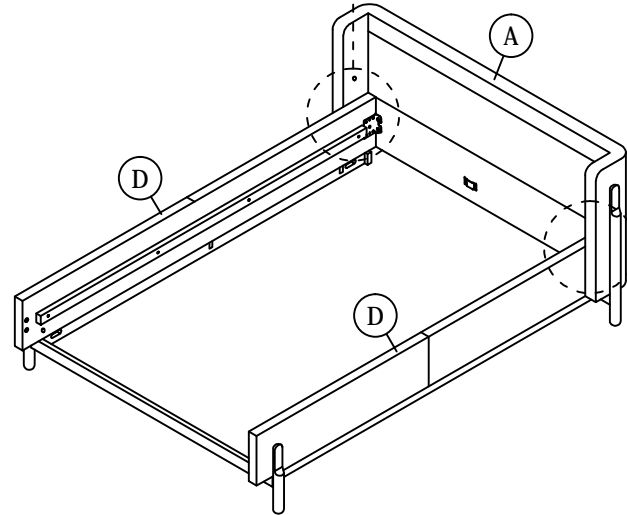
**Note : This step requires two people.**



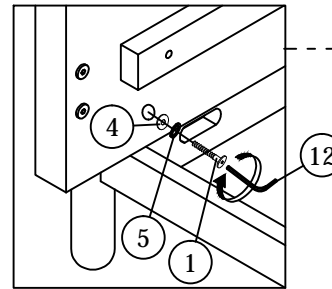
## STEP 11



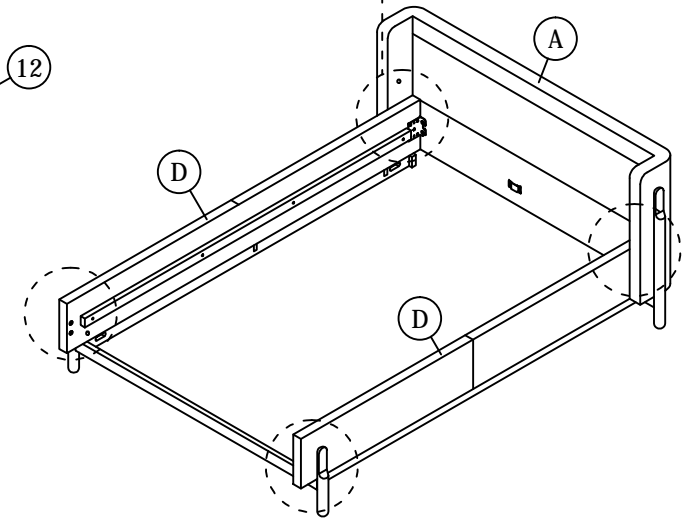
Don't screw tight



## STEP 12

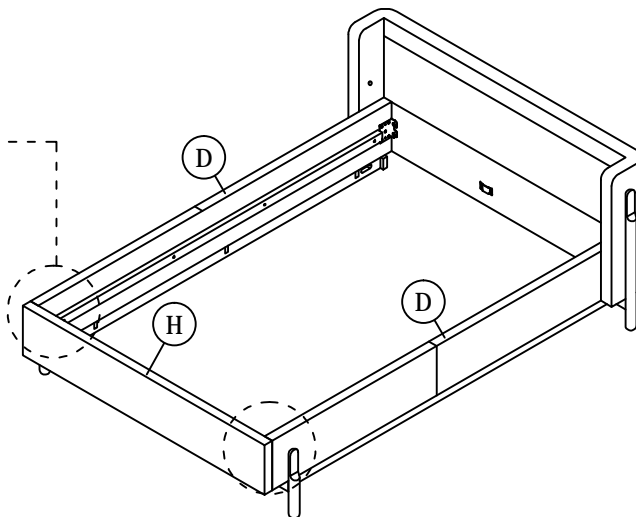
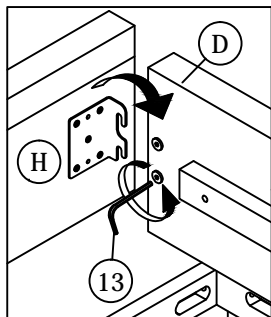


Don't screw tight



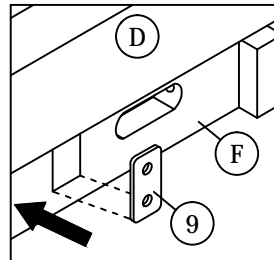
## STEP 13

**Finish step 13, Please screw tight the step 11 & 12 bolts.**



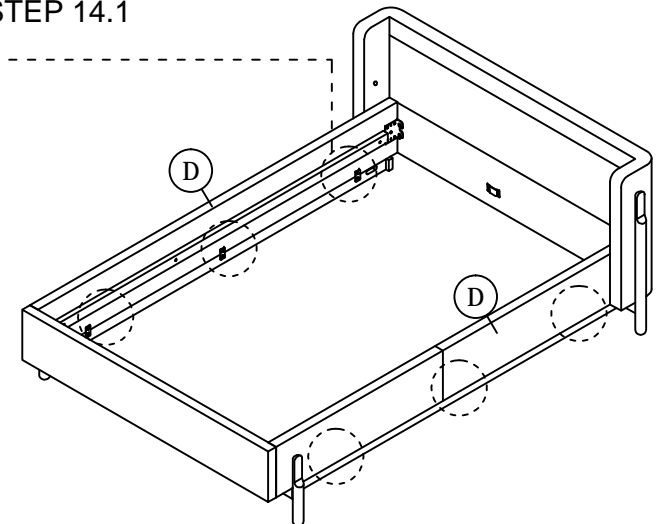
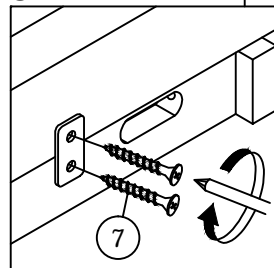
## STEP 14

Note : Follow sticker assemble item (9).

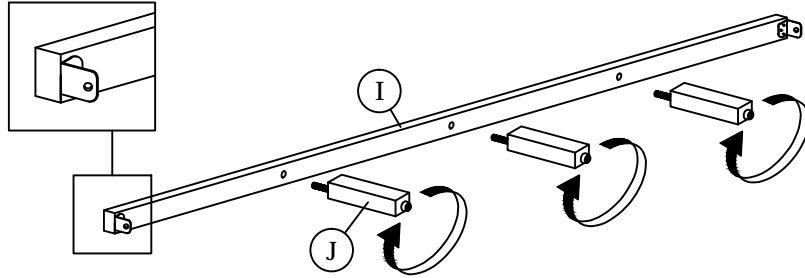


STEP 14.1

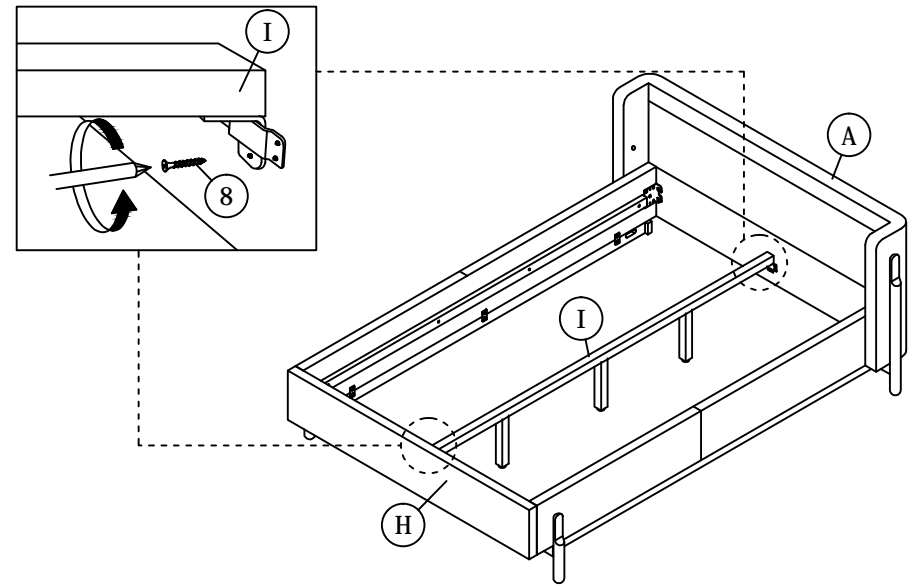
## STEP 14.2



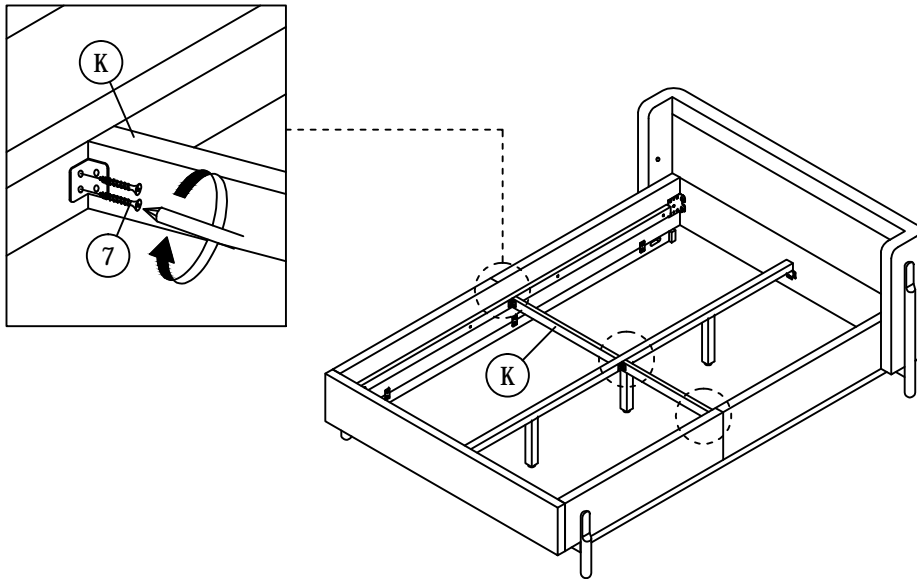
## STEP 15



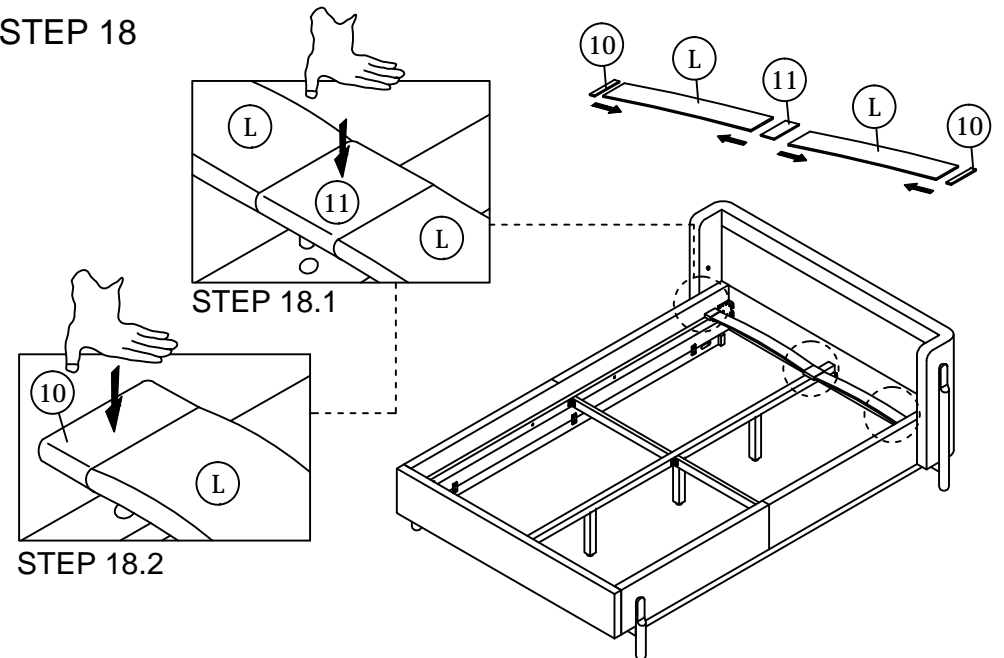
## STEP 16



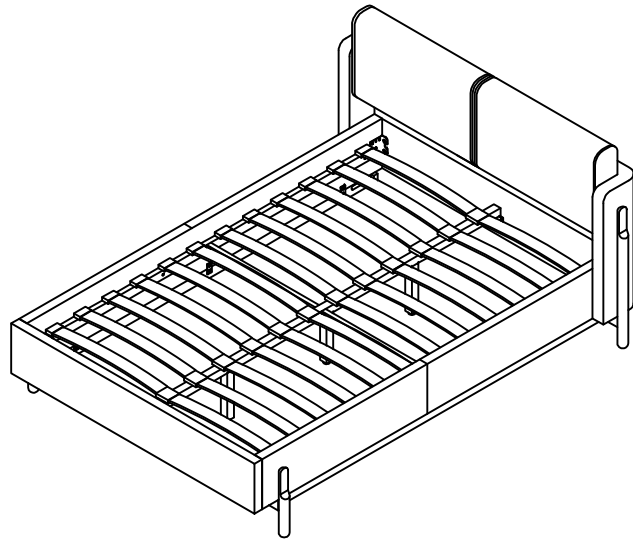
## STEP 17



## STEP 18

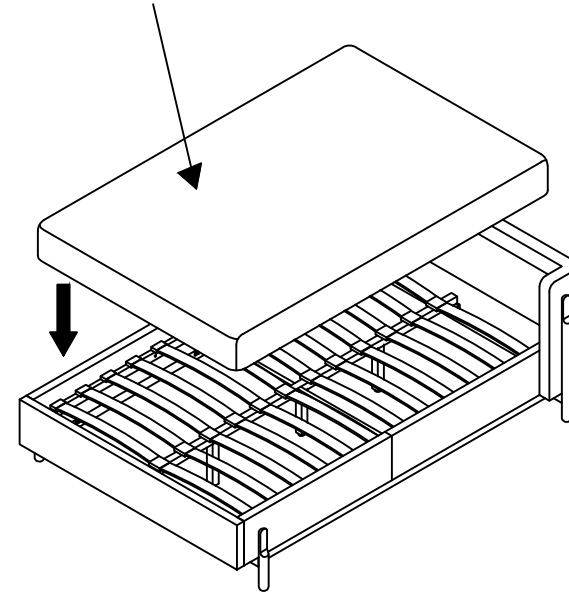


## STEP 19



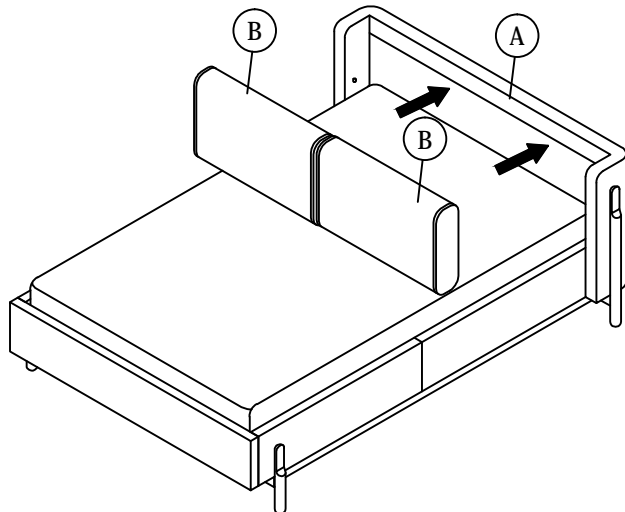
## STEP 20

**MATRESS  
(DOES NOT INCLUDE WITH THE PURCHASE)**

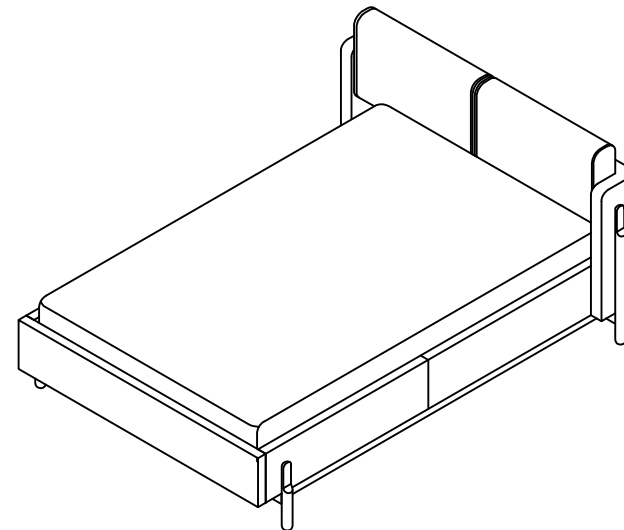


## STEP 21

**\*\*PUT THE MATTRESS FIRST THEN PUT THE HEADBOARD CUSHIONS.**



## STEP 22



\* When moving the bed position, the center support legs must be adjusted or straightened to avoid any broken problems.